

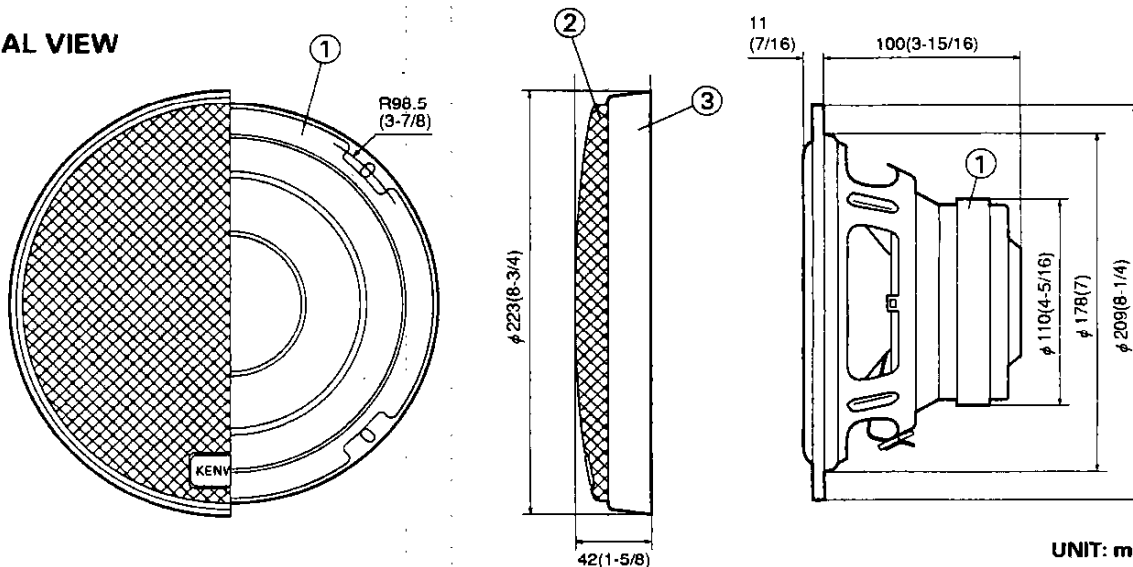
KFC-W2001

SERVICE MANUAL

KENWOOD

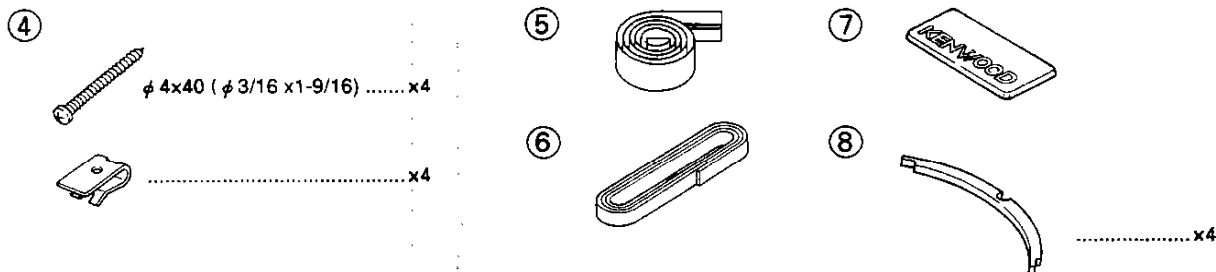
© 1993-10 PRINTED IN JAPAN
B51-6640-00 (4) 1705

EXTERNAL VIEW



UNIT: mm (inch)

PARTS INCLUDED



SPECIFICATIONS

Woofer 200 mm(8 in) Injection PP Cone Type
 Impedance 4 ohms
 Peak Input Power 300 Watts
 Maximum Input Power 200 Watts
 Rated Input Power 100 Watts
 Sensitivity 91 dB/W at 1 m
 Frequency Response 20 Hz~6,000 Hz
 Resonant Frequency 40 Hz
 Recommended Crossover Point 80 Hz~800 Hz
 Dimensions Width: 223 mm (8-3/4 in)
 Height: 223 mm (8-3/4 in)
 Depth: 142 mm (5-9/16 in)
 Mounting Depth: 100 mm (4 in)
 Net Weight (PC) W/GR 2.5 kg (5.5 lb)
 Weight of Magnet (Woofer) 580 g (20.4 oz)

(KENWOOD follows a policy of continuous advancements in development. For this reason specifications may be changed without notice.)

PARTS LIST

★ New parts
Parts without Parts No. are not supplied.

Ref. No.	New Parts	Parts No.	Description
①	★	T10-0624-08	SPEAKER
②		F09-0985-08	PROTECTOR
③		B06-0437-08	GRILLE
④	★	N99-1269-08	SCREW SET
⑤		J69-0111-08	BUTYL RUBBER
⑥		G13-1094-08	SPACER
⑦		B43-0867-08	BADGE
⑧	★	J19-3965-08	GASKET